



Europäisches Patentamt  
 European Patent Office  
 Office européen des brevets



Publication number: **0 665 655 A2**

**EUROPEAN PATENT APPLICATION**

Application number: **95300130.2**

Int. Cl.<sup>6</sup>: **H04B 1/38**

Date of filing: **10.01.95**

Priority: **31.01.94 US 189568**

**California 94304-1181 (US)**

Date of publication of application:  
**02.08.95 Bulletin 95/31**

Inventor: **May, Gregory J.**  
**4115 N.E. Morning Street**  
**Corvallis, OR 97330 (US)**

Designated Contracting States:  
**DE FR GB**

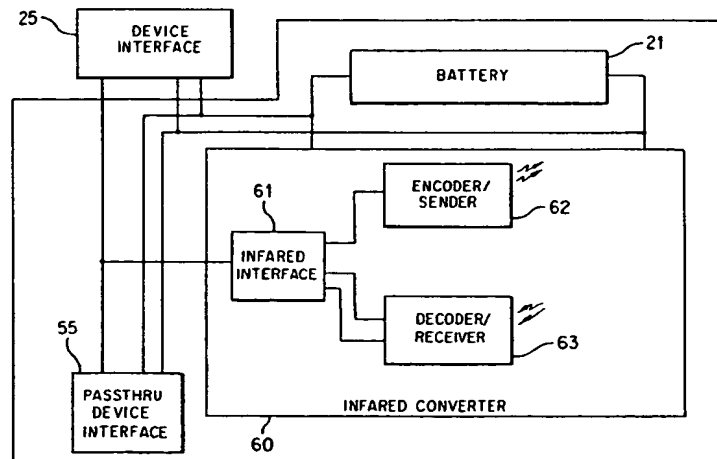
Representative: **Colgan, Stephen James et al**  
**CARMAELS & RANSFORD**  
**43 Bloomsbury Square**  
**London WC1A 2RA (GB)**

Applicant: **HEWLETT-PACKARD COMPANY**  
**3000 Hanover Street**  
**Palo Alto,**

**Cellular phone with infrared interface in the battery pack.**

A cellular phone has, in addition to an antenna, speaker and microphone, a device interface capable of transmitting electronic information between the cellular phone and an electronic device, such as a computer or modem, when the device is physically connected to the cellular phone. The cellular phone also has a battery pack. The battery pack has, in addition to a battery for powering the cellular phone, an infrared port for transmitting infrared information between the cellular phone and an electronic device with infrared capability. The infrared port is con-

nected to an infrared converter, which is connected to the device interface. The infrared converter converts electronic information to infrared information for transmission between the cellular phone and the device over the infrared port. Existing cellular phones can be upgraded to obtain the ability to communicate with electronic devices over an infrared port by replacing the conventional battery pack contained in the existing cellular phone with an infrared battery pack of the type shown in the various embodiments of the invention.



**FIG. 4**

**EP 0 665 655 A2**

## Field of the Invention

This invention relates to the electronics circuitry field. More particularly, this invention is an infrared battery pack for a cellular phone.

## Background of the Invention

The emergence of the cellular phone in the last few years has revolutionized the telecommunications industry. Where in the past telephones were largely confined to homes, offices, and other stationary structures, cellular technology has made it possible for phones to be truly portable and exist nearly anywhere there are people -- in cars, on boats, on airplanes, or even on distant mountain tops.

While cellular phones have revolutionized the telecommunications industry, they have had little effect on the computer industry. This is due, at least in part, to the difficulty in connecting cellular phones and computers. Prior attempts at connecting cellular phones and computers have been inefficient and expensive, and normally involve the use of a coaxial or other type of wired cable between the computer and cellular phone to transmit data. This approach defeats the portable nature of the cellular phone (and, possibly the computer as well), and fails to fully realize the potential benefits that could exist with an efficient marriage of cellular and computer technologies.

## Summary of the Invention

It is one aspect of the invention to provide for the efficient transmission of information between a cellular phone and an electronic device.

It is another aspect of the invention to provide an efficient transmission of information between a cellular phone and an electronic device, such as a computer, in a wireless manner.

It is another aspect of the invention to provide an efficient transmission of information between a cellular phone and an electronic device, such as a computer, through the use of an infrared battery pack.

A cellular phone has, in addition to an antenna, speaker and microphone, a device interface capable of transmitting electronic information between the cellular phone and an electronic device, such as a computer or modem, when the device is physically connected to the cellular phone. The cellular phone also has a battery pack. The battery pack has, in addition to a battery for powering the cellular phone, an infrared port for transmitting infrared information between the cellular phone and an electronic device with infrared capability. The infrared port is connected to an infrared converter,

which is connected to the device interface. The infrared converter converts electronic information to infrared information for transmission between the cellular phone and the device over the infrared port. Existing cellular phones can be upgraded to obtain the ability to communicate with electronic devices over an infrared port by replacing the conventional battery pack contained in the existing cellular phone with an infrared battery pack of the type shown in the various embodiments of the invention.

## Description of the Drawings

Fig. 1 shows a conventional cellular phone.

Fig. 2 shows a cellular phone with an attached holster for communicating with an electronic device.

Fig. 3A shows a cellular phone with an infrared battery pack according to the preferred embodiment of the invention.

Fig. 3B shows a cellular phone with an infrared battery pack according to an alternate embodiment of the invention.

Fig. 4 shows a infrared battery pack according to the preferred embodiment of the invention in more detail.

Fig. 5 shows infrared converter circuitry according to the preferred embodiment of the invention in more detail.

Fig. 6 shows an infrared battery pack according to an alternate embodiment of the invention.

## Detailed Description of the Preferred Embodiment

Fig. 1 shows conventional cellular phone 10. Cellular phone 10 contains speaker 11, microphone 12, keypad 13, and antenna 14. Cellular phone 10 communicates with telephone cell 5 via RF signals received and sent via antenna 14.

Cellular phone 10 also contains battery pack 20. Battery pack 20 contains one or more batteries 21. Battery pack 20 is removably mounted on the back of cellular phone 10. Cellular phone 10 also contains device interface 25 (Fig. 1). Device interface 25 is capable of transmitting electronic information to an electronic device, such as a modem or computer, when the device is physically connected to cellular phone 10.

Fig. 2 shows cellular phone 10 with attached holster 30 for communicating with modem 37 in computer 38 via cable 35. Holster 30 slides over the base of cellular phone 10, thereby covering and connecting to device interface 25. Cable 35 connects device interface 25 with modem 37 in computer 38 so that electronic information can be transmitted between cellular phone 10 and com-

puter 38. Holster 30 of phone 10 is not necessary if interface 25 would allow a direct connection to modem 37, such as would be the case if interface 25 was an RJ-11 jack.

Fig. 3A shows cellular phone 40 with infrared battery pack 50 of the preferred embodiment of the invention. Like conventional battery pack 20 shown in Fig. 2, battery pack 50 contains one or more batteries 21. Unlike conventional battery pack 20, however, infrared battery pack 50 also contains infrared port 51 for transmitting infrared information between cellular phone 40 and computer 100. For the purposes of this invention, the term "transmitted" shall refer to either one way or two way communication of information (e.g., data, commands, voice, tones, programming codes, etc) between a cellular phone and an electronic device (e.g., computer, modem, watch, etc) capable of sending and/or receiving infrared signals. Computer 100 is similar to computer 38 shown in Fig. 2, but contains infrared port 101 to allow for the transmission of infrared information between cellular phone 40 and computer 100. In the preferred embodiment, computer 100 is an HP 100LX Palmtop PC, manufactured by the Hewlett-Packard Company, although any computer using the well known Serial Infrared (SIR) Standard or other infrared technology could also be used.

In the preferred embodiment, battery pack 50 is removably mounted on the back of cellular phone 40, and also covers the base of cellular phone 40, thereby covering and connecting to device interface 25. In the preferred embodiment, battery pack 50 contains passthru device interface 55. Passthru device interface 55 is connected to device interface 25 and allows for the direct connection of a device, such as computer 38 of Fig. 2, via holster 30. Passthru device interface 55, in addition to enabling communications between cellular phone 40 and a device that lacks infrared capability (such as computer 38), or a device that has infrared capability but for which direct connection is desirable, also allows conventional cellular phone accessories, such as a "hands free" kit, external antenna, external power, etc, to continue to work with cellular phone 40. An alternate embodiment has been contemplated where passthru device interface 55 is not provided, thereby saving the associated costs of such an interface if the aforementioned capabilities of such an interface are not desired.

Fig. 3B shows an alternate embodiment of the invention, where battery pack 53 does not cover the base of cellular phone 45, but instead transmits information between cellular phone 40 and computer 100 through device interface 25 accessible through the back of cellular phone 45. In this embodiment, passthru device interface 55 is at the

bottom of battery pack 53. Those skilled in the art will appreciate that the actual location of device interface 25 and passthru device interface 55 can vary from the locations shown in Figs. 3A-3B and still fall within the spirit and scope of the invention.

Fig. 4 shows the infrared battery pack of the preferred embodiment of the invention in more detail. As previously discussed, device interface 25 and passthru device interface 55 are connected together. Both interfaces are also connected to infrared converter 60. Infrared converter 60 contains infrared interface 61, encoder/sender 62, and decoder/receiver 63. This circuitry converts electrical information to infrared information for transmission between cellular phone 40 and computer 100 via infrared port 51. Battery 21 provides power to infrared converter 60 and other circuitry in and connected to cellular phone 40 via device interface 25 and passthru device interface 55, but is not otherwise involved in the transmission of infrared information between cellular phone 40 and computer 100.

Fig. 5 shows the infrared converter circuitry of the preferred embodiment of the invention in more detail. In the preferred embodiment, infrared interface 61 is a 16550-compatible UART controller, although other controllers could be used. In some embodiments, such as where the cellular phone itself performs the control function, a controller may not even be necessary. In these instances, infrared interface 61 merely passes the signals from the cellular phone directly to encoder/sender 62 and decoder/receiver 63.

When encoder/sender 62 receives a high level data signal from infrared interface 61, transistor 65 switches on, thereby causing light emitting diodes 66 to energize. When receiver/decoder 63 receives a low level signal from infrared interface 61 at the base of transistor 67, transistor 67 turns on, thereby turning on operational amplifier 69. This allows any infrared information received from photodiode 68 to be sent to infrared interface 61 as electronic information.

An additional alternate embodiment has been contemplated and is shown in Fig. 6. In this embodiment, the battery pack is capable of operating in a standalone mode. The circuitry for this embodiment would be the same as that shown in Figs. 4 and 5, with the exception that infrared interface 61, encoder/sender 62 and decoder/receiver 63 are connected to memory 64. In this embodiment, electronic information to be sent by encoder/sender 62 and/or received by decoder/receiver 63 is stored in memory 64 under the direction of controller 61. When the battery pack is connected to a cellular phone, indications to transmit this information between the cellular phone and the electronic device can be provided by the cellular phone via

infrared interface 61.

### Claims

1. A battery pack (50) for a cellular phone (10), 5  
comprising:  
a battery (21) for powering said cellular phone;  
and  
an infrared port (51) for transmitting infrared 10  
information between said cellular phone and an  
electronic device.
2. The battery pack of claim 1, further compris- 15  
ing:  
an infrared converter (60), connected to a de- 15  
vice interface (25) in said cellular phone and to  
said infrared port, for converting electronic in-  
formation from said device interface to infrared 20  
information for transmission between said cel-  
lular phone and said electronic device over  
said infrared port.
3. The battery pack of claim 2, further compris-  
ing:  
a passthru device interface (55) for connection 25  
to said device interface and said infrared con-  
verter, said passthru device interface capable  
of transmitting said electronic information be-  
tween said cellular phone and said electronic 30  
device when said electronic device is phys-  
ically connected to said cellular phone.
4. The battery pack of claim 3, further compris-  
ing:  
memory (64) for storing electronic information 35  
for transmission between said cellular phone  
and said electronic device.
5. A method of upgrading a cellular phone (10) 40  
having a battery pack (20) and an electronic  
device interface (25) with the ability to commu-  
nicate with an electronic device (100) over an  
infrared link, said method comprising the steps  
of:  
removing said battery pack; and 45  
replacing said battery pack with an infrared  
battery pack (50) having a battery (21) for  
powering said cellular phone, an infrared port  
(51), and an infrared converter (60) for connec- 50  
tion to a device interface (25) in said cellular  
phone and to said infrared port, said infrared  
converter for converting electronic information  
from said device interface to infrared informa-  
tion for transmission between said cellular 55  
phone and an electronic device over said in-  
frared port.

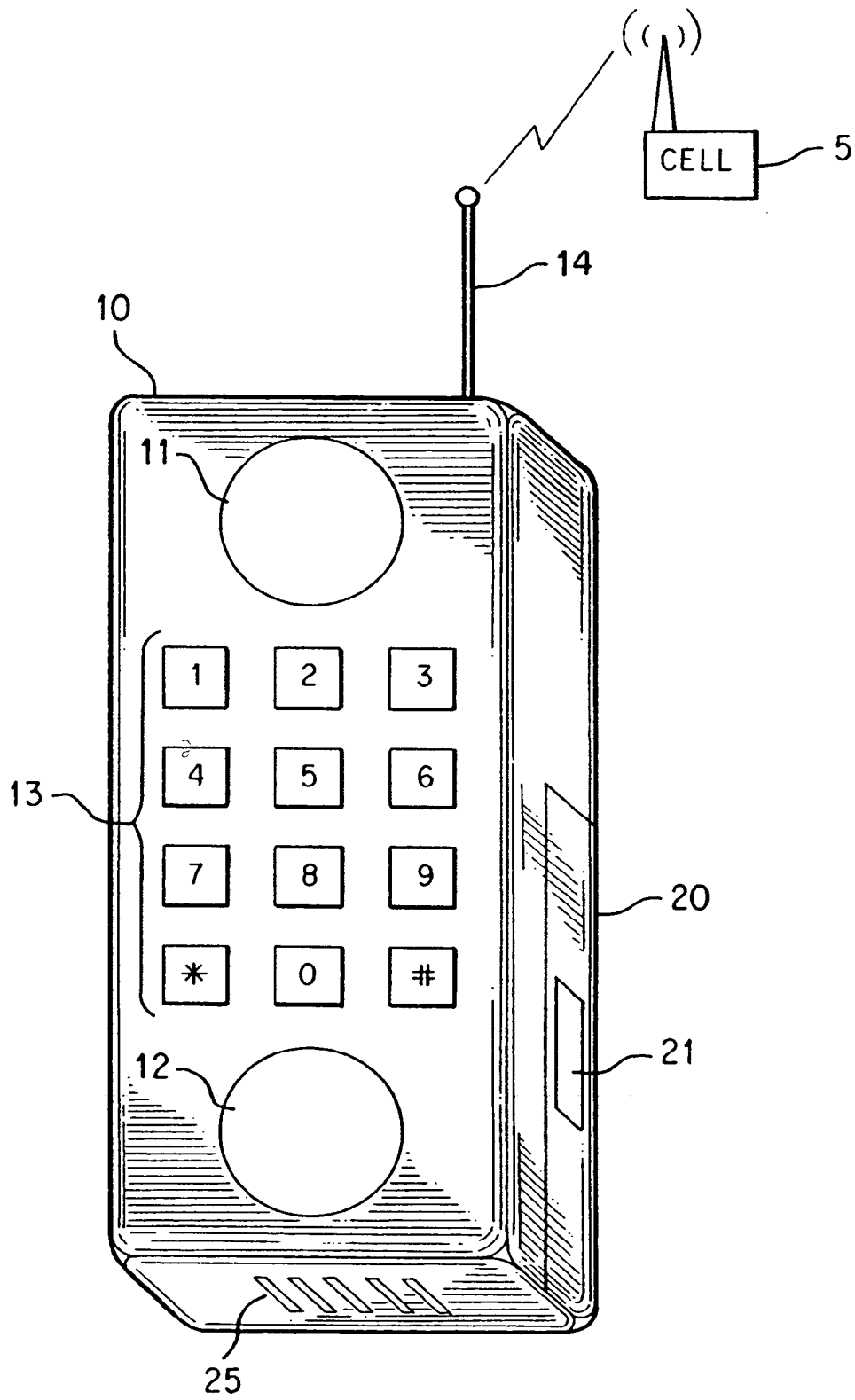


FIG. 1

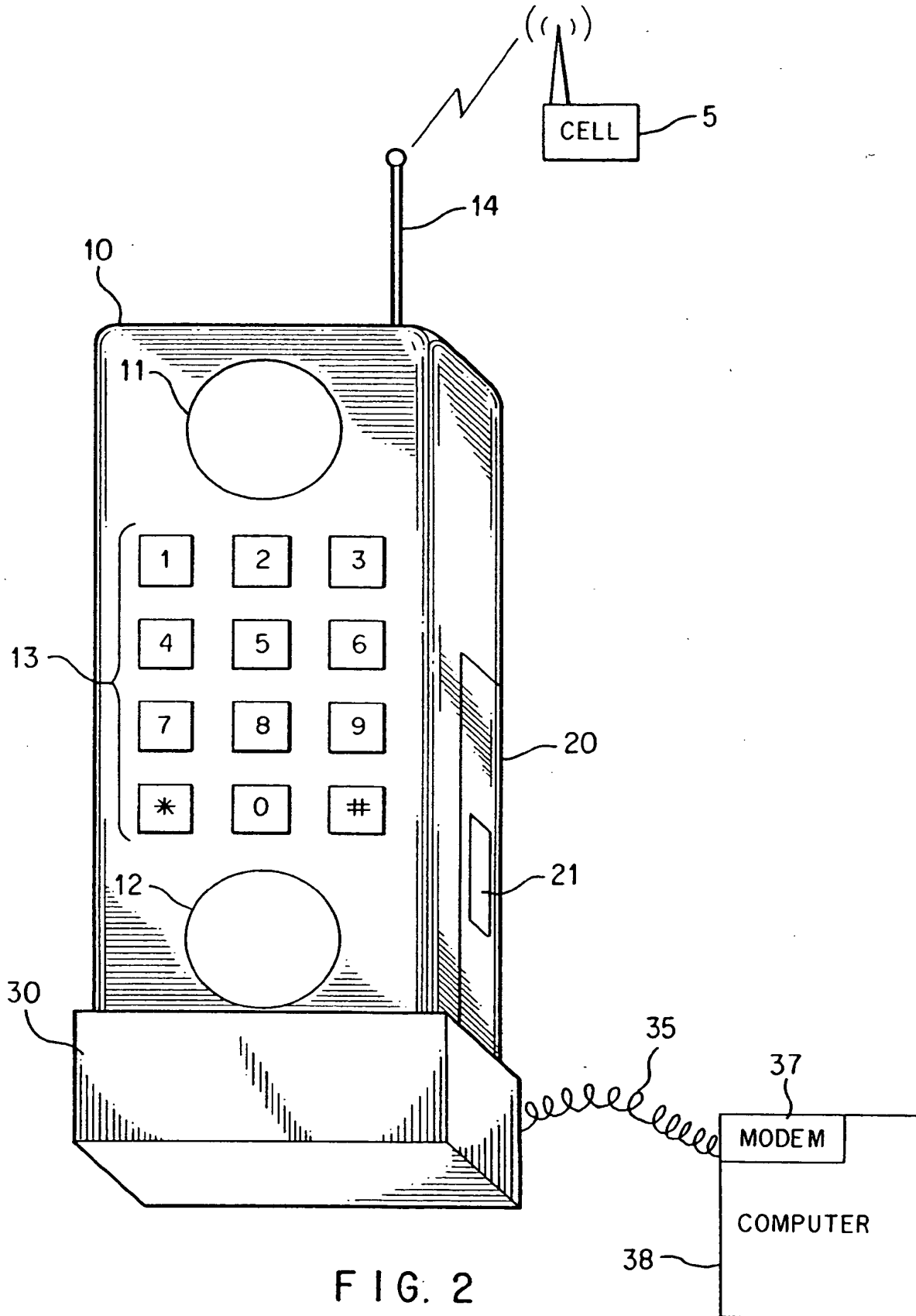


FIG. 2

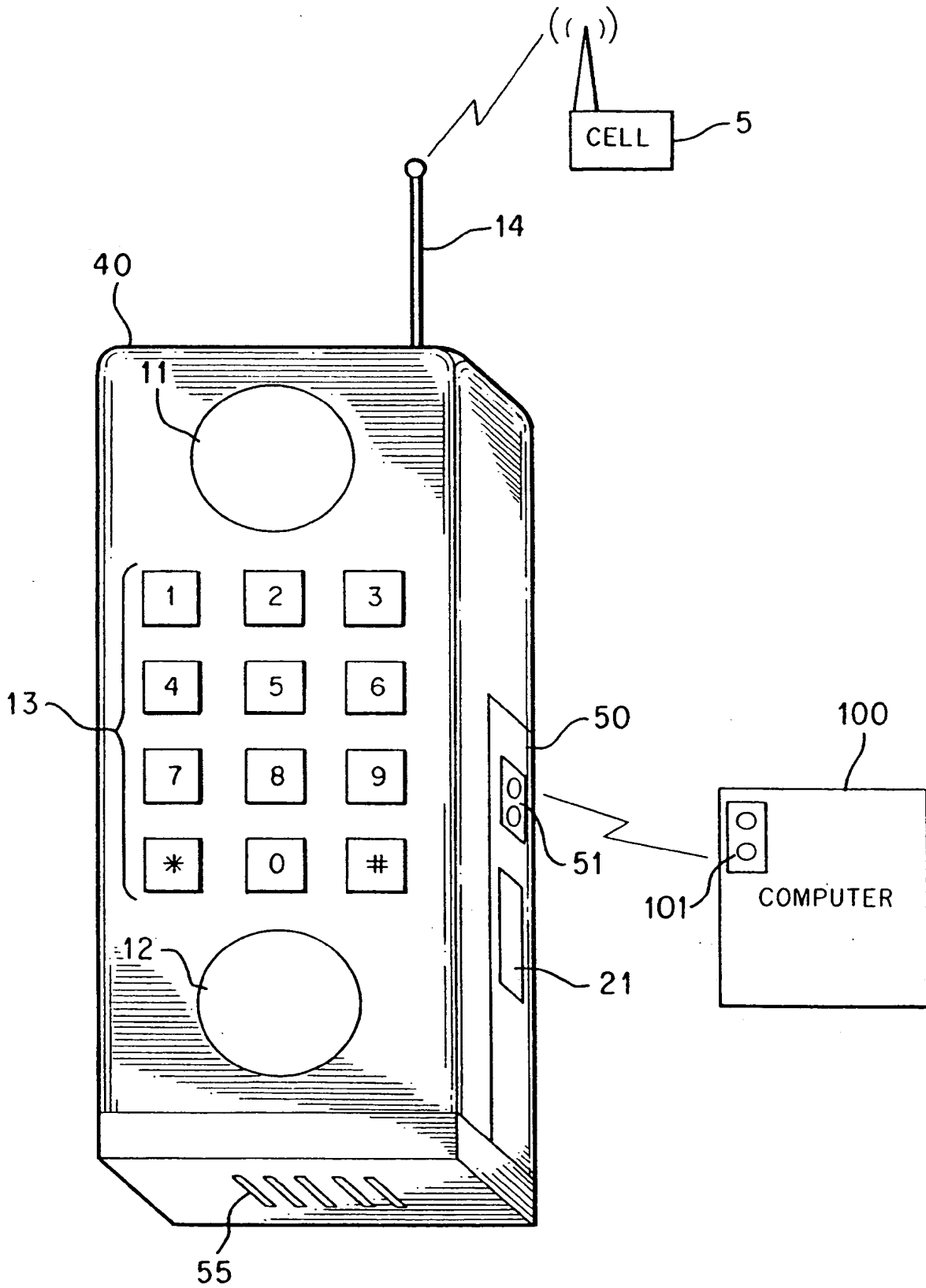
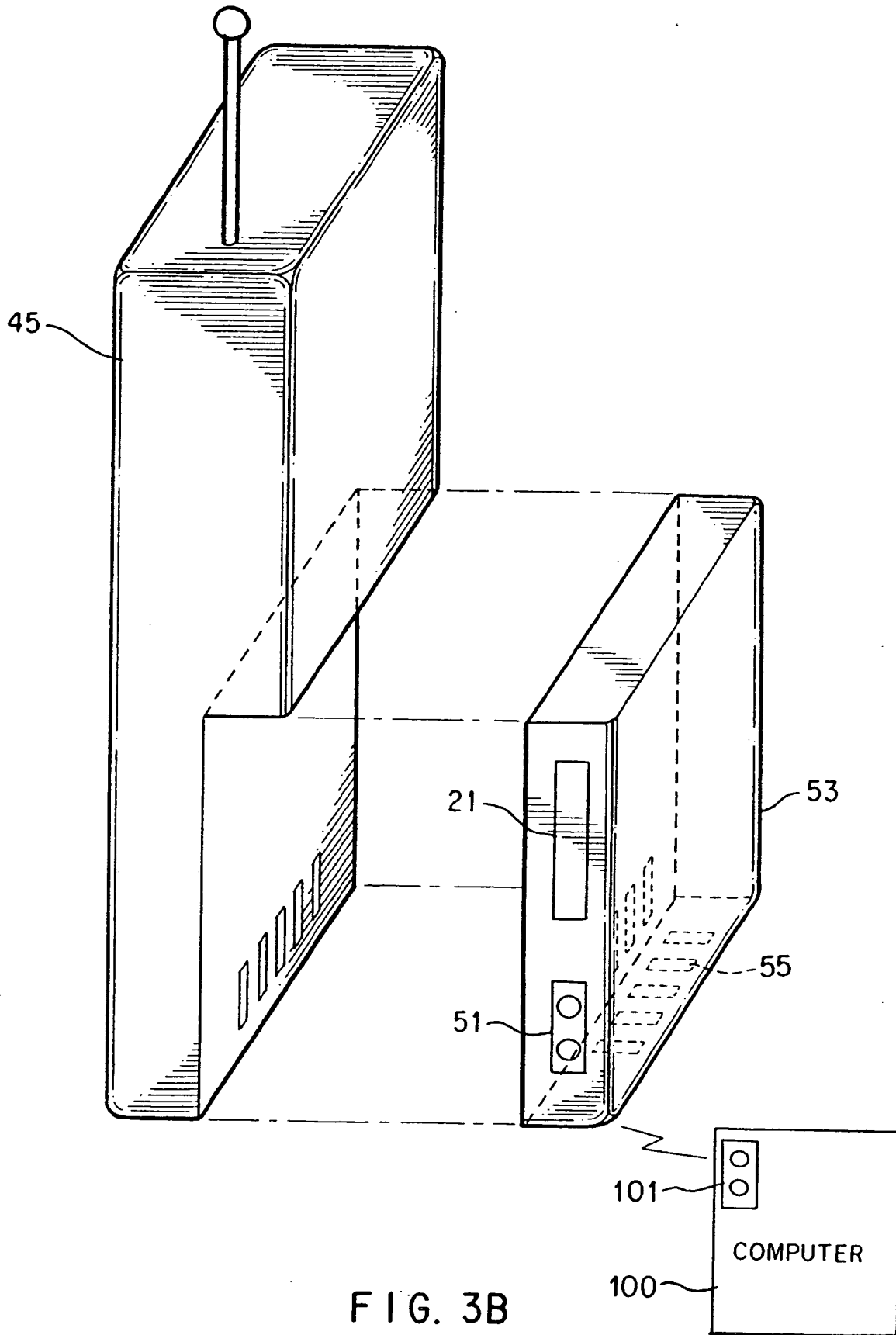


FIG. 3A





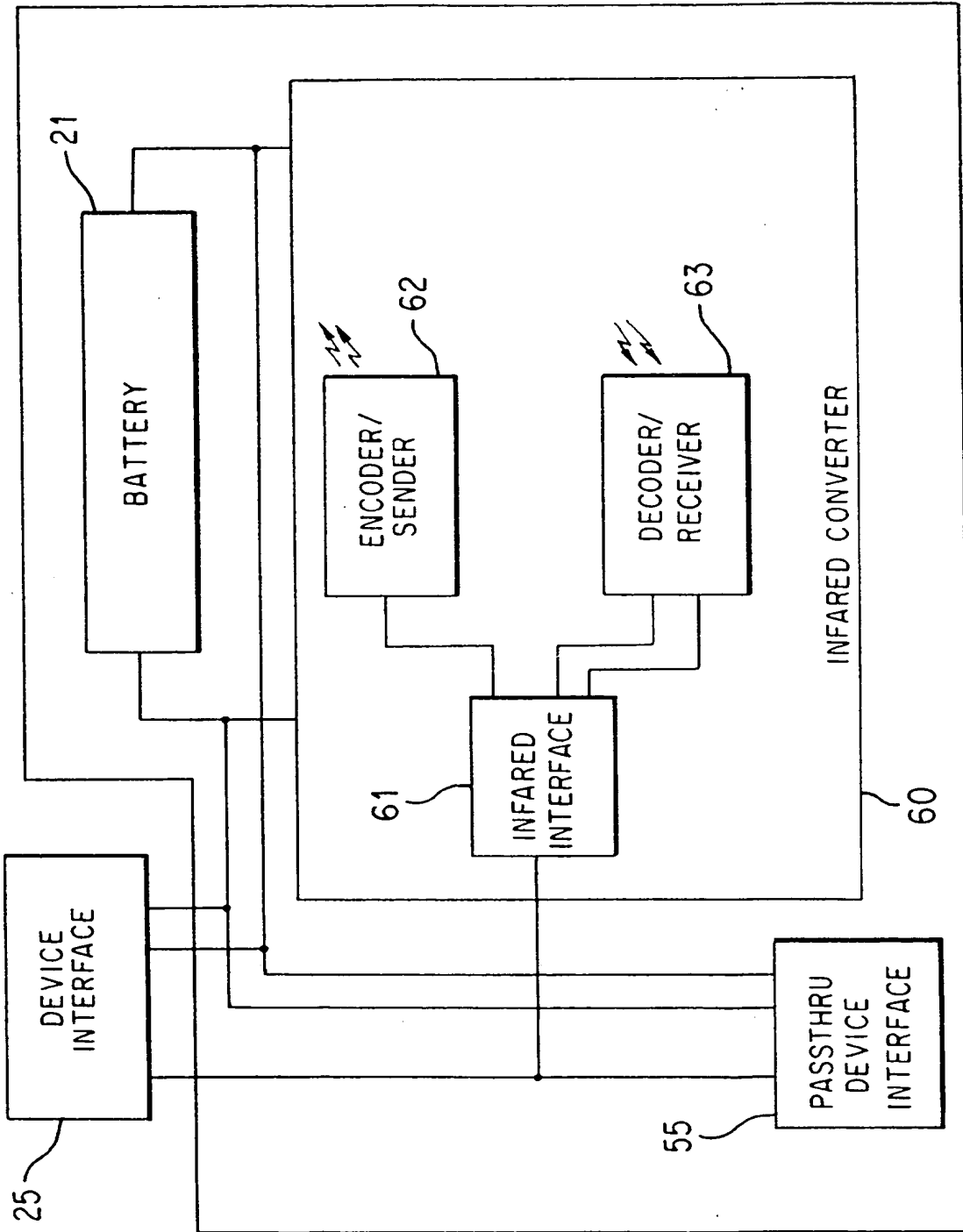


FIG. 4

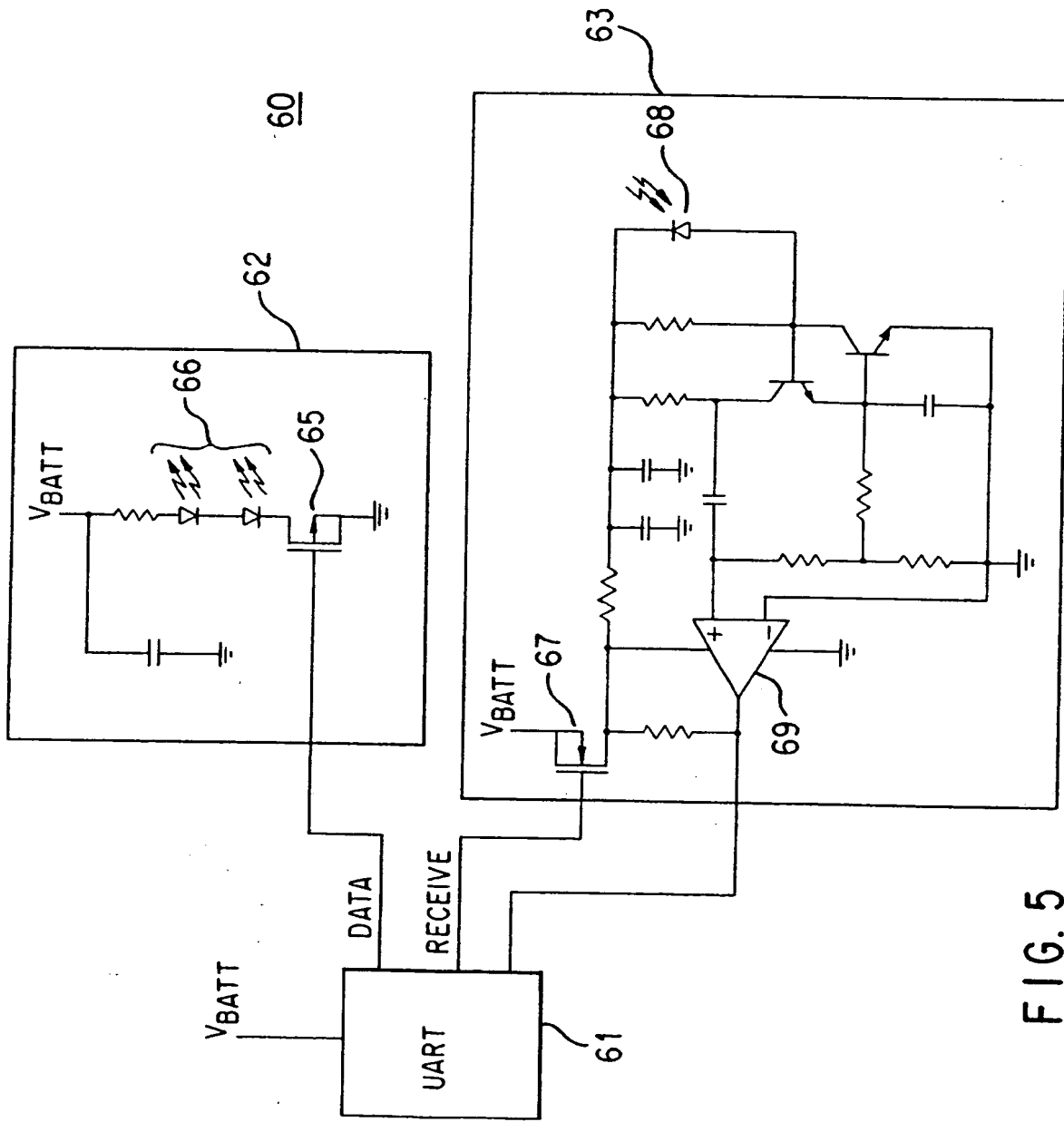


FIG. 5

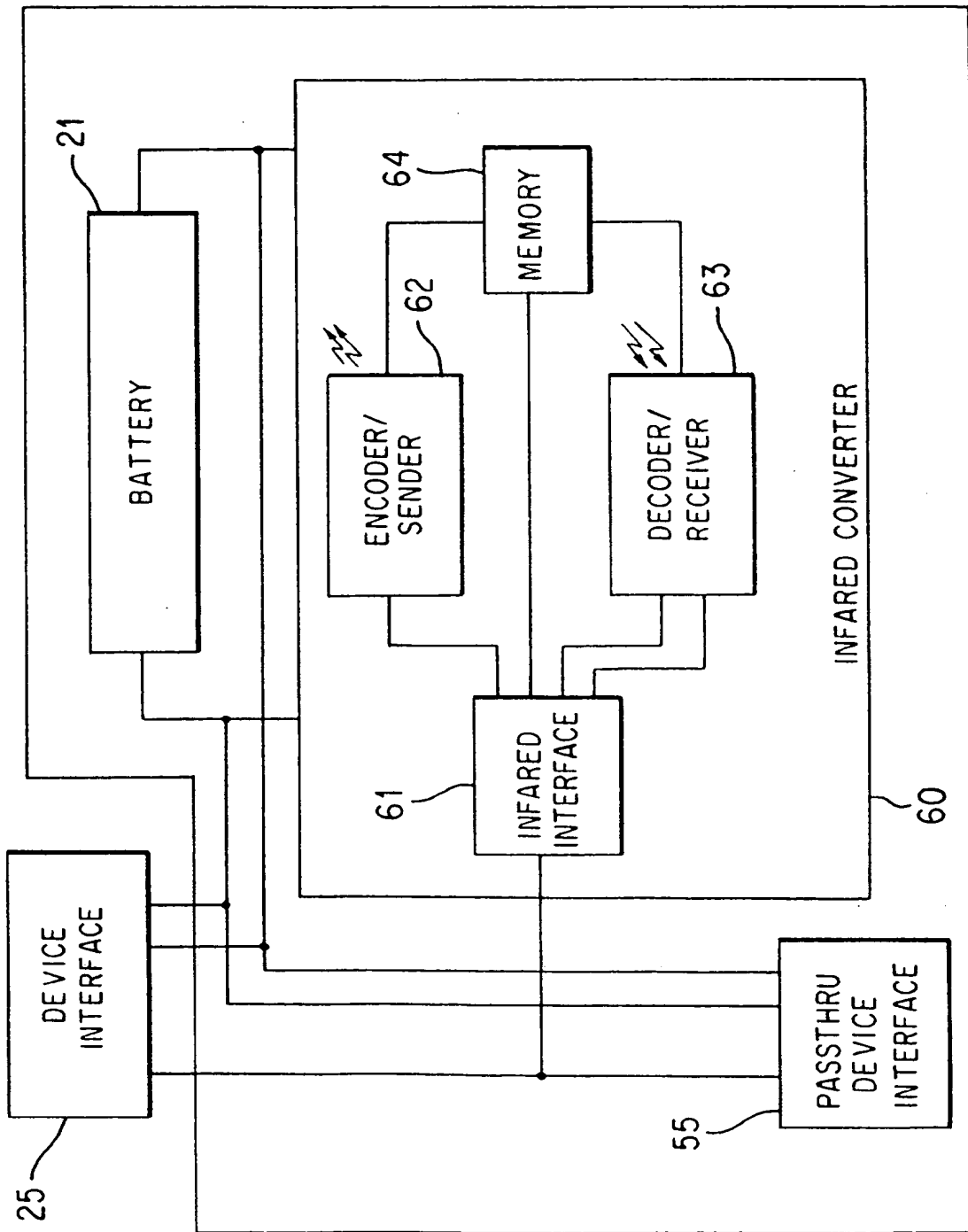
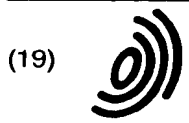


FIG. 6





Europäisches Patentamt  
European Patent Office  
Office européen des brevets



(11) EP 0 665 655 A3

(12) EUROPEAN PATENT APPLICATION

- (88) Date of publication A3: 29.12.1997 Bulletin 1997/52  
(51) Int. Cl.<sup>6</sup>: H04B 1/38, H04M 1/72
- (43) Date of publication A2: 02.08.1995 Bulletin 1995/31
- (21) Application number: 95300130.2
- (22) Date of filing: 10.01.1995

(84) Designated Contracting States:  
DE FR GB

(30) Priority: 31.01.1994 US 189568

(71) Applicant:  
HEWLETT-PACKARD COMPANY  
Palo Alto, California 94304-1181 (US)

(72) Inventor: May, Gregory J.  
Corvallis, OR 97330 (US)

(74) Representative:  
Colgan, Stephen James et al  
CARPMAELS & RANSFORD  
43 Bloomsbury Square  
London WC1A 2RA (GB)

(54) Cellular phone with infrared interface in the battery pack

(57) A cellular phone has, in addition to an antenna, speaker and microphone, a device interface capable of transmitting electronic information between the cellular phone and an electronic device, such as a computer or modem, when the device is physically connected to the cellular phone. The cellular phone also has a battery pack. The battery pack has, in addition to a battery for powering the cellular phone, an infrared port for transmitting infrared information between the cellular phone and an electronic device with infrared capability. The infrared port is connected to an infrared converter,

which is connected to the device interface. The infrared converter converts electronic information to infrared information for transmission between the cellular phone and the device over the infrared port. Existing cellular phones can be upgraded to obtain the ability to communicate with electronic devices over an infrared port by replacing the conventional battery pack contained in the existing cellular phone with an infrared battery pack of the type shown in the various embodiments of the invention.

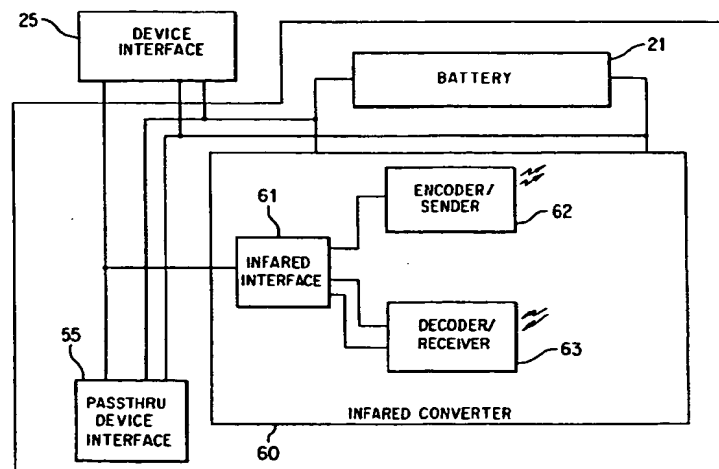


FIG. 4

EP 0 665 655 A3



European Patent  
Office

EUROPEAN SEARCH REPORT

Application Number  
EP 95 30 0130

DOCUMENTS CONSIDERED TO BE RELEVANT			
Category	Citation of document with indication, where appropriate, of relevant passages	Relevant to claim	CLASSIFICATION OF THE APPLICATION (Int.Cl.6)
A	EP 0 423 733 A (SIEMENS AG OESTERREICH ;SIEMENS AG (DE)) * the whole document *	1-3	H04B1/38 H04M1/72
A	DE 90 01 293 U (VOTRONIC) * the whole document *	1,2,5	
A	DE 90 01 291 U (VOTRONIC) * the whole document *	3	
A	GB 2 251 515 A (TECHNOPHONE LTD) * abstract * * figure 1 * * claim 1 * * claim 9 *	4	
The present search report has been drawn up for all claims			TECHNICAL FIELDS SEARCHED (Int.Cl.6)
			H04B H04M H04Q
Place of search	Date of completion of the search	Examiner	
THE HAGUE	24 October 1997	Lindhardt, U	
CATEGORY OF CITED DOCUMENTS			
X : particularly relevant if taken alone Y : particularly relevant if combined with another document of the same category A : technological background O : non-written disclosure P : intermediate document		T : theory or principle underlying the invention E : earlier patent document, but published on, or after the filing date D : document cited in the application L : document cited for other reasons & : member of the same patent family, corresponding document	

EPO FORM 1503 03.82 (P04C01)